

# WTDR

## *Drive for pool industry*

CONNECTIONS MANUAL



**Flexible, simple, economical**



QC : (450) 647-5269 - ON : ( 437) 886-5273 - BC : (778) 382-7958  
Web: [www.watertecinc.com](http://www.watertecinc.com) - Email: [info@watertecinc.com](mailto:info@watertecinc.com)

VERSION : May, 2019

## CONTROL TERMINALS

Selector switch for – or + logic

Programming module

Communication Gateway

MOTOR PE PE MANS (LINE)

Dynamic brake connection

**Digital Inputs**

- Dedicated Start/Stop
- (4) Programmable

**Digital Outputs**

- Form “A” Relay
- Open Collector

**Analogue Inputs**

- 0 - 10 VDC
- 4 - 20 mA

**Analogue Outputs**

- 0 - 10 VDC/2-10VDC

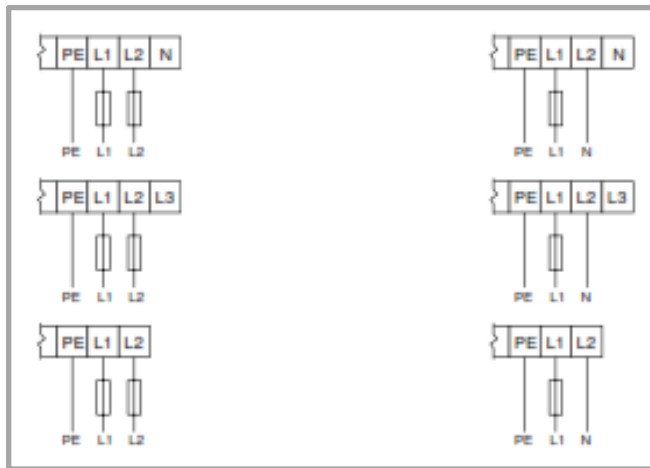
**Power Supplies**

- 10 VDC Pot. Ref
- 12 VDC/20 mA Dig In
- Ref or 0VDC Common
- 12 VDC/50 mA

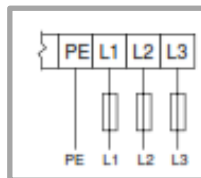
**RS-485 Communications**

- TXA
- TXB

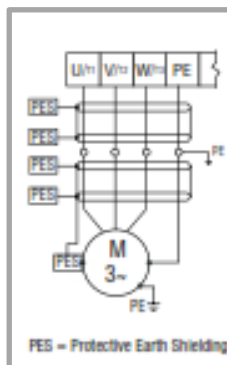
### MAINS CONNECTION TO 120VAC - 240VAC SINGLE PHASE



### MAINS CONNECTION TO THREE-PHASE SUPPLY

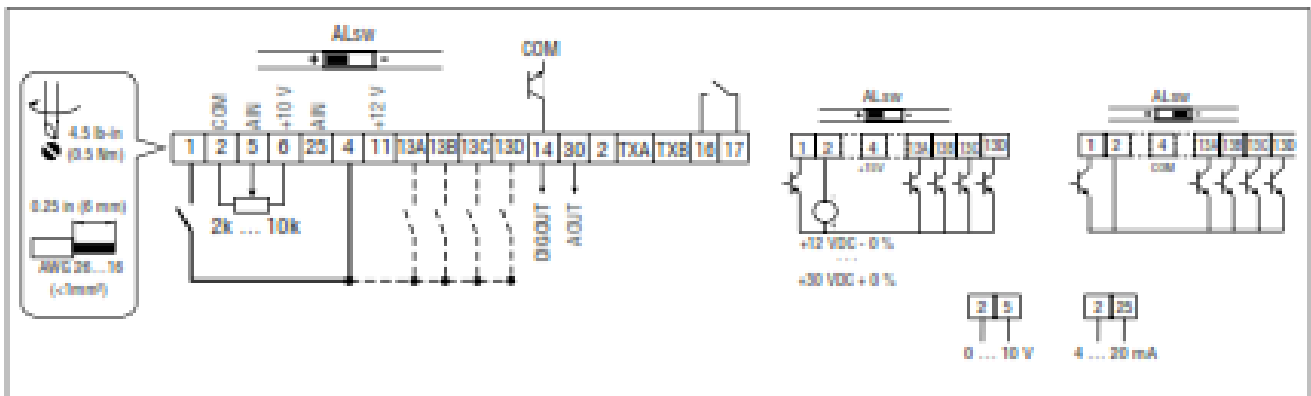


### MOTOR CONNECTION



# WTDR | Drive for pool pump

## CONTROL TERMINALS



Terminal	Description	Important
1	Digital Input: Start/Stop	input resistance = 4.3kΩ
2	Analog Common	
5	Analog Input: 0...10 VDC	input resistance: >50 kΩ
6	Internal DC supply for speed pot	+10 VDC, max. 10 mA
25	Analog Input: 4...20 mA	input resistance: 250Ω
4	Digital Reference/Common	+15 VDC / 0 VDC, depending on assertion level
11	Internal DC supply for external devices	+12 VDC, max. 50 mA
13A	Digital Input: Configurable with P121	input resistance = 4.3kΩ
13B	Digital Input: Configurable with P122	
13C	Digital Input: Configurable with P123	
13D*	Digital Input: Configurable with P124	
14	Digital Output: Configurable with P142, P144	DC 24 V / 50 mA; NPN
30	Analog Output: Configurable with P150...P155	0...10 VDC, max. 20 mA
2*	Analog Common	
TXA*	RS485 TxA	
TXB*	RS485 TxB	
16	Relay output: Configurable with P140, P144	AC 250 V / 3 A
17		DC 24 V / 2 A ... 240 V / 0.22 A, non-inductive

### Assertion level of digital inputs

The digital inputs can be configured for active-high or active-low by setting the assertion level switch (ALsw) and P120. If wiring to the drive inputs with dry contacts or with PNP solid state switches, set the switch and P120 to “High” (+). If using NPN devices for inputs, set both to “Low” (-). Active-high (+) is the default setting.



**WTDR** | Drive for pool pump

**NOTES :**